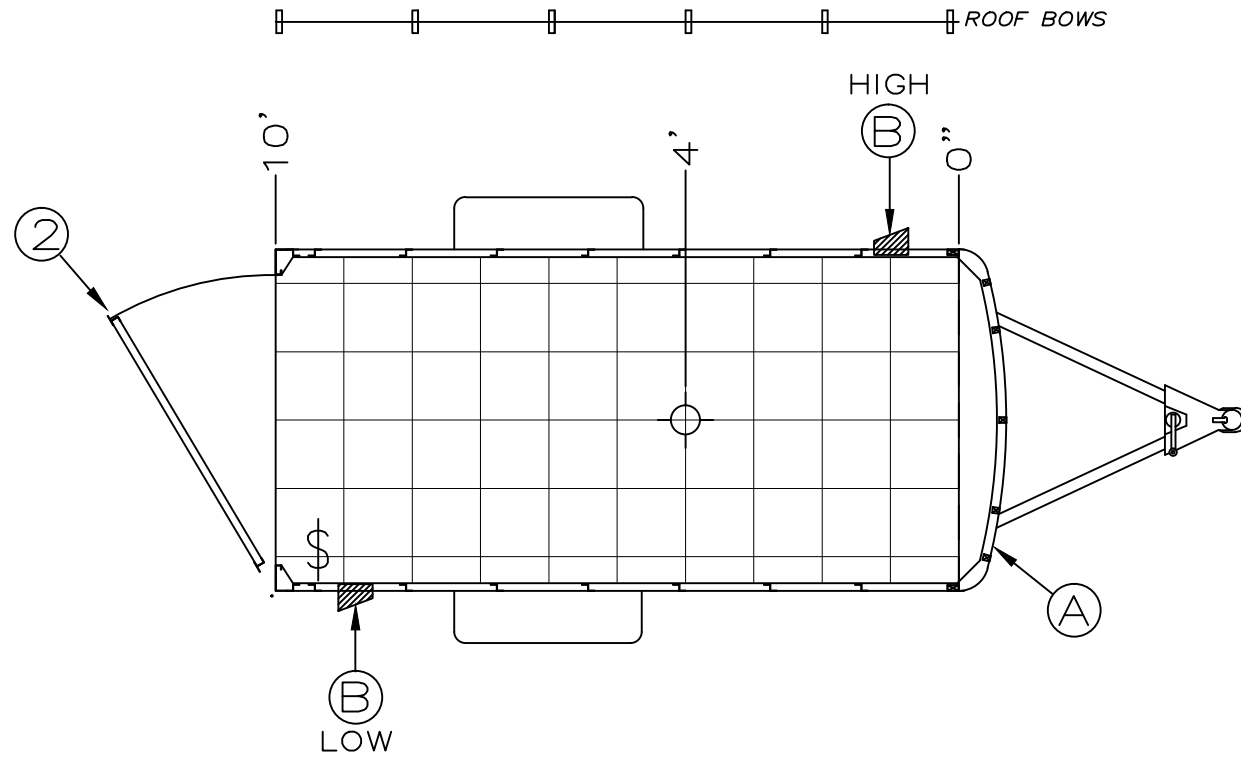



MATCH LETTER OR NUMBER WITH PRINT

- 1 .030 ALUM. EXTERIOR
- 2 SINGLE REAR DOOR
- A 24" ATP STONEGUARD
- B 2-FLOW THRU SIDEWALL VENTS

DATE: 09/21/2018 MODEL: SC510SA ORDER NUMBER: 000000 DEALER: BRAVO PG: 1 OF 1



KEY: :

12 VOLT ELECTRICAL	110 VOLT ELECTRICAL	ROOF VENTS		REVISION: _____
<ul style="list-style-type: none"> ○ - STANDARD LED DOME LIGHT ⊕ - 4" ROUND LED DOME LIGHT ⌘ - WALL SWITCH 	<ul style="list-style-type: none"> □ - PANEL W/ LIFELINE & CABLE HATCH △ - MOTOR BASE PLUG — — - 2 BULB FLUORESCENT — — - 1 BULB FLUORESCENT 	<ul style="list-style-type: none"> ○ - QUARTZ LIGHT ⌘ - WALL SWITCH ○ - 15 AMP RECEPT ● - 20 AMP RECEPT ⌘ - GFI RECEPT 	<p>N/P</p> <p>N/P = NON POWERED 12v = 12 VOLT POWERED 110v = 110 VOLT POWERED A/C = AIR CONDITIONER W/F = WIRE & FRAME</p>	<p>APPROVED: _____</p>  <p>19319 COUNTY ROAD 8, BRISTOL IN 46507 PHONE: 574.848.7500 - FAX: 574.848.7550</p> <p>DRAWN BY: XXXXX</p>
			<ul style="list-style-type: none"> X - D RING E - E TRACK ⊗ - ATP (T/C) - TIRE COMPARTMENT 	