

MATCH LETTER OR NUMBER WITH PRINT

DATE: 09/21/2018

MODEL: SC712SA

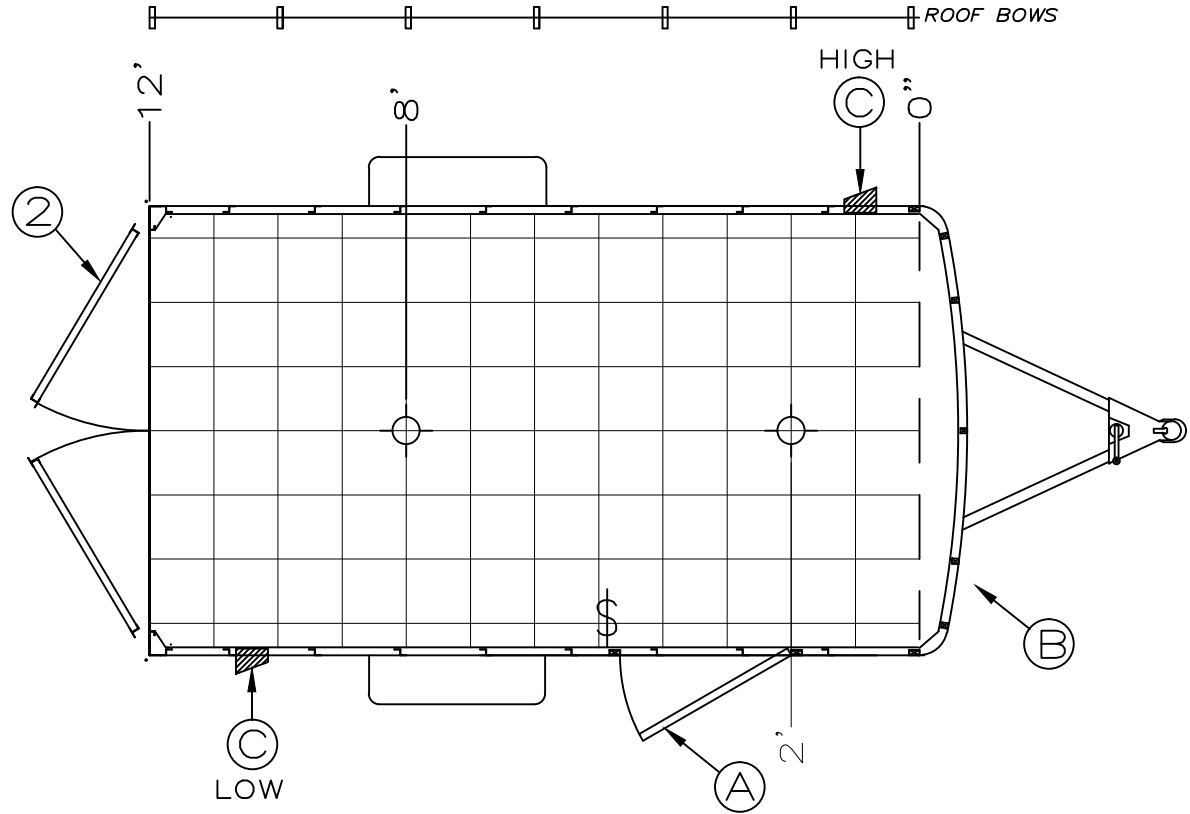
ORDER NUMBER: 000000

DEALER: BRAVO STOCK


PG: 1 OF 1

1 .030 ALUM. EXTERIOR
2 DOUBLE REAR DOORS

A 1-32" SIDE DOOR
B 24" ATP STONEGUARD
C 2-FLOW THRU SIDEWALL
VENTS



KEY: :

12 VOLT ELECTRICAL	110 VOLT ELECTRICAL	ROOF VENTS		REVISION: _____
<ul style="list-style-type: none"> ○ - STANDARD LED DOME LIGHT ⊕ - 4" ROUND LED DOME LIGHT ⌘ - WALL SWITCH 	<ul style="list-style-type: none"> ▭ - PANEL W/ LIFELINE & CABLE HATCH △ - MOTOR BASE PLUG — — - 2 BULB FLUORESCENT — - 1 BULB FLUORESCENT ○ - QUARTZ LIGHT ⌘ - WALL SWITCH ○ - 15 AMP RECEPT ● - 20 AMP RECEPT ⌘ - GFI RECEPT 	<ul style="list-style-type: none"> N/P 	<ul style="list-style-type: none"> X - D RING E - E TRACK XXX - ATP (T/C) - TIRE COMPARTMENT 	<p>APPROVED: _____</p>  <p>19319 COUNTY ROAD 8, BRISTOL IN 46507 PHONE: 574.848.7500 - FAX: 574.848.7550</p>
		<ul style="list-style-type: none"> N/P = NON POWERED 12v = 12 VOLT POWERED 110v = 110 VOLT POWERED A/C = AIR CONDITIONER W/F = WIRE & FRAME 		<p>DRAWN BY: XXXXX</p>