

MATCH LETTER OR NUMBER WITH PRINT

DATE: 09/21/2018

MODEL: SC716TA2

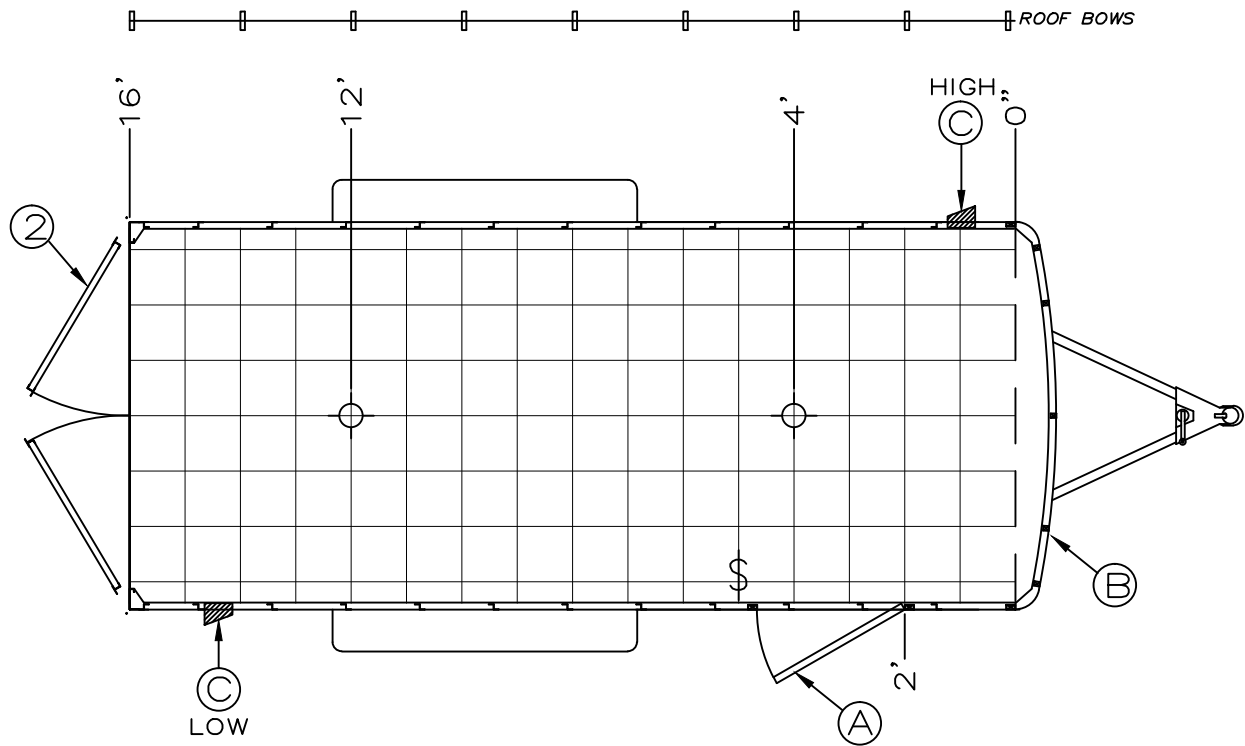
ORDER NUMBER: 000000

DEALER: BRAVO STOCK

PG: 1 OF 1

- 1 .030 ALUM. EXTERIOR
- 2 DOUBLE REAR DOORS

- A 1-32" SIDE DOOR
- B 24" ATP STONEGUARD
- C 2-FLOW THRU SIDEWALL VENTS



KEY: :

12 VOLT ELECTRICAL	110 VOLT ELECTRICAL	ROOF VENTS		REVISION: _____
<ul style="list-style-type: none"> ○ - STANDARD LED DOME LIGHT ⊕ - 4" ROUND LED DOME LIGHT \$ - WALL SWITCH 	<ul style="list-style-type: none"> ▭ - PANEL W/ LIFELINE & CABLE HATCH △ - MOTOR BASE PLUG ▬ - 2 BULB FLUORESCENT ▸ - 1 BULB FLUORESCENT 	<ul style="list-style-type: none"> ⊙ - QUARTZ LIGHT \$ - WALL SWITCH ⊖ - 15 AMP RECEPT ⊕ - 20 AMP RECEPT ⊙ - GFI RECEPT 	<p>N/P</p> <ul style="list-style-type: none"> N/P = NON POWERED 12v = 12 VOLT POWERED 110v = 110 VOLT POWERED A/C = AIR CONDITIONER W/F = WIRE & FRAME 	<p>APPROVED: _____</p> <p>19319 COUNTY ROAD 8, BRISTOL IN 46507 PHONE: 574.848.7500 - FAX: 574.848.7550</p>
			<ul style="list-style-type: none"> X - D RING E T - E TRACK ▨ - ATP (T/C) - TIRE COMPARTMENT 	<p>DRAWN BY: XXXXX</p>