

MATCH LETTER OR NUMBER WITH PRINT

- 1 .030 ALUM. EXTERIOR
- 2 DOUBLE REAR DOORS
  
- A 1-36" SIDE DOOR
- B 24" ATP STONEGUARD
- C 2-FLOW THRU SIDEWALL VENTS

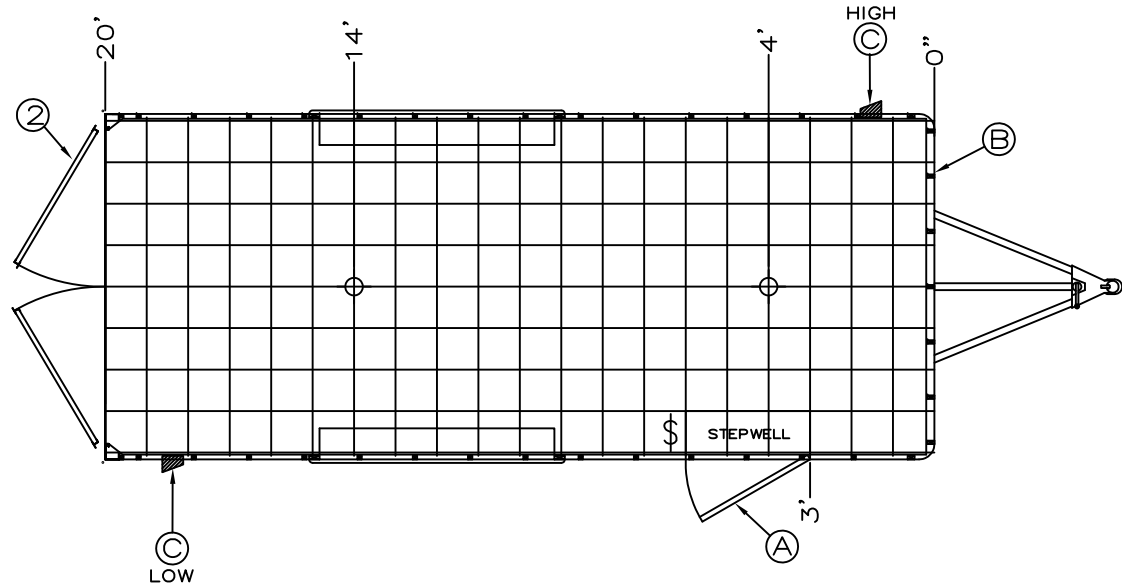
DATE: 10/28/2019

MODEL: SSAC8520TA2


ORDER NUMBER: 00000

DEALER: BRAVO TRAILERS

PG: 1 OF 1



KEY: :

12 VOLT ELECTRICAL	110 VOLT ELECTRICAL	ROOF VENTS		REVISION: _____	
<ul style="list-style-type: none"> <li>⊙ - STANDARD LED DOME LIGHT</li> <li>⊕ - 4" ROUND LED DOME LIGHT</li> <li>⌘ - WALL SWITCH</li> </ul>	<ul style="list-style-type: none"> <li>▭ - PANEL W/ LIFELINE &amp; CABLE HATCH</li> <li>△ - MOTOR BASE PLUG</li> <li>⌘ - 2 BULB FLUORESCENT</li> <li>⌘ - 1 BULB FLUORESCENT</li> </ul>	<ul style="list-style-type: none"> <li>⊙ - QUARTZ LIGHT</li> <li>⌘ - WALL SWITCH</li> <li>⊙ - 15 AMP RECEPT</li> <li>● - 20 AMP RECEPT</li> <li>⊙ - GFI RECEPT</li> </ul>	<p>N/P</p> <p>N/P = NON POWERED            12v = 12 VOLT POWERED            110v = 110 VOLT POWERED            A/C = AIR CONDITIONER            W/F = WIRE &amp; FRAME</p>	<ul style="list-style-type: none"> <li>⊗ - D RING</li> <li>E - E TRACK</li> <li>⊗ - ATP</li> <li>(T/C) - TIRE COMPARTMENT</li> </ul>	<p>APPROVED: _____</p>  <p>19319 COUNTY ROAD 8, BRISTOL IN 46507            PHONE: 574.848.7500 - FAX: 574.848.7550</p>
				<p>DRAWN BY: XXXXXX</p>	