

MATCH LETTER OR NUMBER WITH PRINT

DATE: 11/19/2019

MODEL: AST720TA2

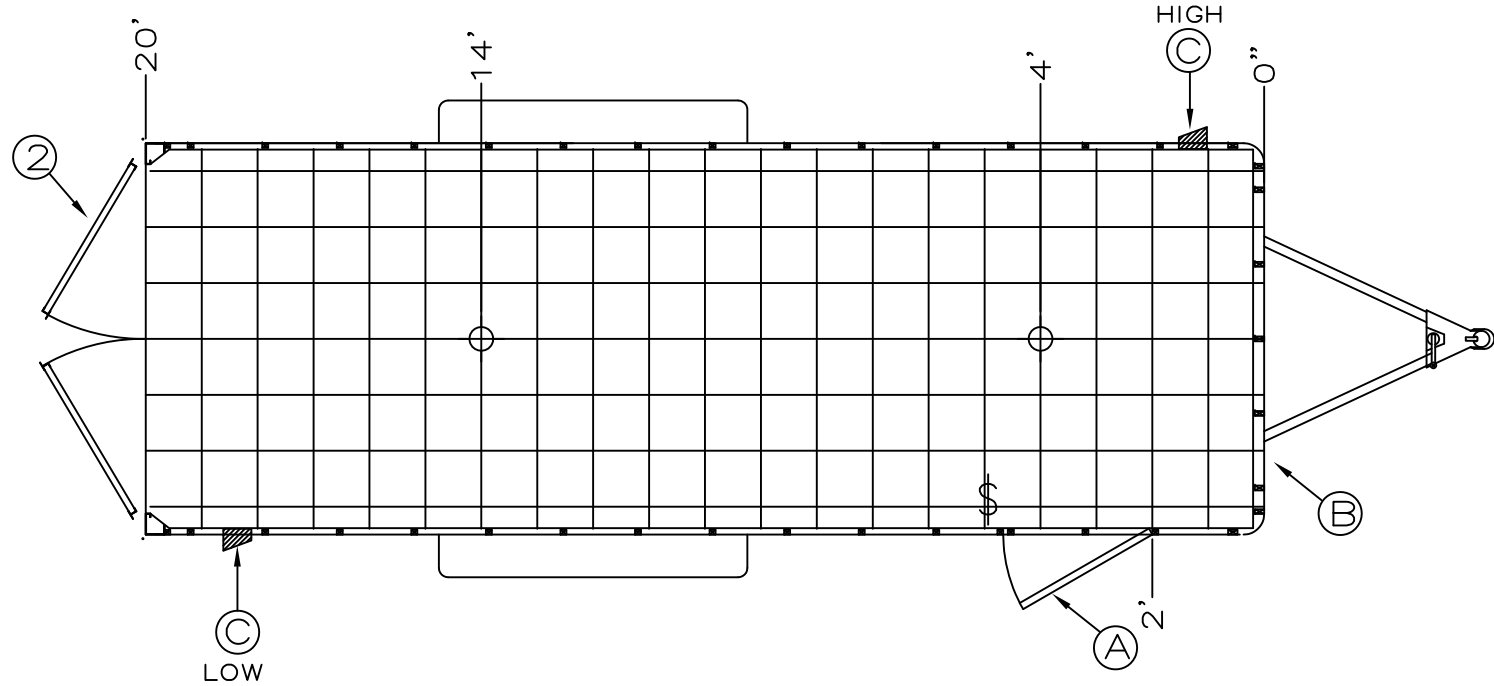
ORDER NUMBER: 000000

DEALER: BRAVO STOCK

PG: 1 OF 1

1 .030 ALUM. EXTERIOR W/CAP
2 DOUBLE REAR DOORS

A 1-32" SIDE DOOR
B 24" ATP STONEGUARD
C 2-FLOW THRU SIDEWALL VENTS



KEY: :

12 VOLT ELECTRICAL

- STANDARD LED DOME LIGHT
- 4" ROUND LED DOME LIGHT
- WALL SWITCH

110 VOLT ELECTRICAL

- PANEL W/ LIFELINE & CABLE HATCH
- MOTOR BASE PLUG
- 2 BULB FLUORESCENT
- 1 BULB FLUORESCENT
- QUARTZ LIGHT
- WALL SWITCH
- 15 AMP RECEPT
- 20 AMP RECEPT
- GFI RECEPT

ROOF VENTS

- N/P
- N/P = NON POWERED
- 12v = 12 VOLT POWERED
- 110v = 110 VOLT POWERED
- A/C = AIR CONDITIONER
- W/F = WIRE & FRAME

- D RING
- E TRACK
- ATP
- TIRE COMPARTMENT

REVISION: _____

APPROVED: _____



19319 COUNTY ROAD 8, BRISTOL IN 46507
PHONE: 574.848.7500 - FAX: 574.848.7550

DRAWN BY: XXXXX