

MATCH LETTER OR NUMBER WITH PRINT

DATE: 11/19/2019

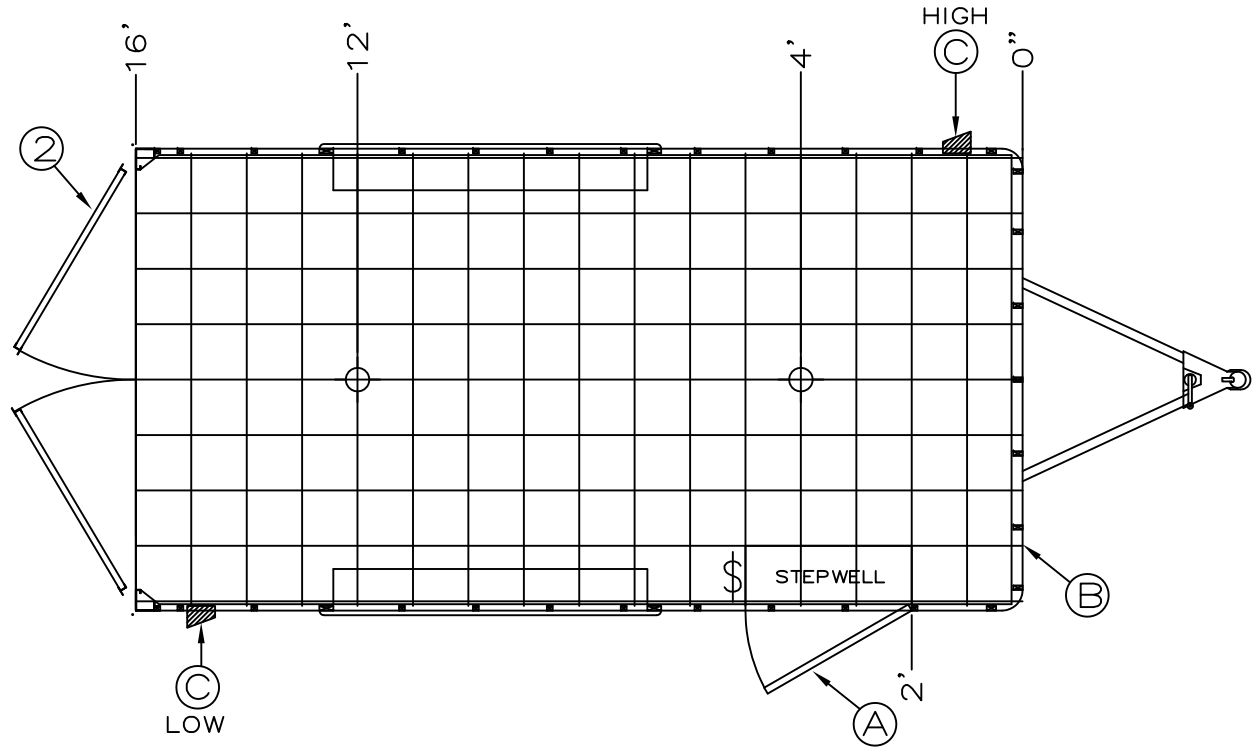
MODEL: AST8516TA2

ORDER NUMBER: 000000


DEALER: BRAVO

PG: 1 OF 1

- 1 .030 ALUM. EXTERIOR W/ CAP
- 2 DOUBLE REAR DOORS
- A 1-36" SIDE DOOR
- B 24" ATP STONEGUARD
- C 2-FLOW THRU SIDEWALL VENTS



KEY: :

12 VOLT ELECTRICAL	110 VOLT ELECTRICAL	ROOF VENTS	REVISION: _____
<ul style="list-style-type: none"> ○ - STANDARD LED DOME LIGHT ⊕ - 4" ROUND LED DOME LIGHT ⌘ - WALL SWITCH 	<ul style="list-style-type: none"> ▭ - PANEL W/ LIFELINE & CABLE HATCH △ - MOTOR BASE PLUG ⌘ - 2 BULB FLUORESCENT ⌘ - 1 BULB FLUORESCENT ○ - QUARTZ LIGHT ⌘ - WALL SWITCH ○ - 15 AMP RECEPT ● - 20 AMP RECEPT ● - GFI RECEPT 	<ul style="list-style-type: none"> N/P N/P = NON POWERED 12v = 12 VOLT POWERED 110v = 110 VOLT POWERED A/C = AIR CONDITIONER W/F = WIRE & FRAME 	<ul style="list-style-type: none"> × - D RING E - E TRACK ▨ - ATP (T/C) - TIRE COMPARTMENT <p>APPROVED: _____</p>  <p>19319 COUNTY ROAD 8, BRISTOL IN 46507 PHONE: 574.848.7500 - FAX: 574.848.7550</p> <p>DRAWN BY: XXXXX</p>