

MATCH LETTER OR NUMBER WITH PRINT

DATE: 11/19/2019

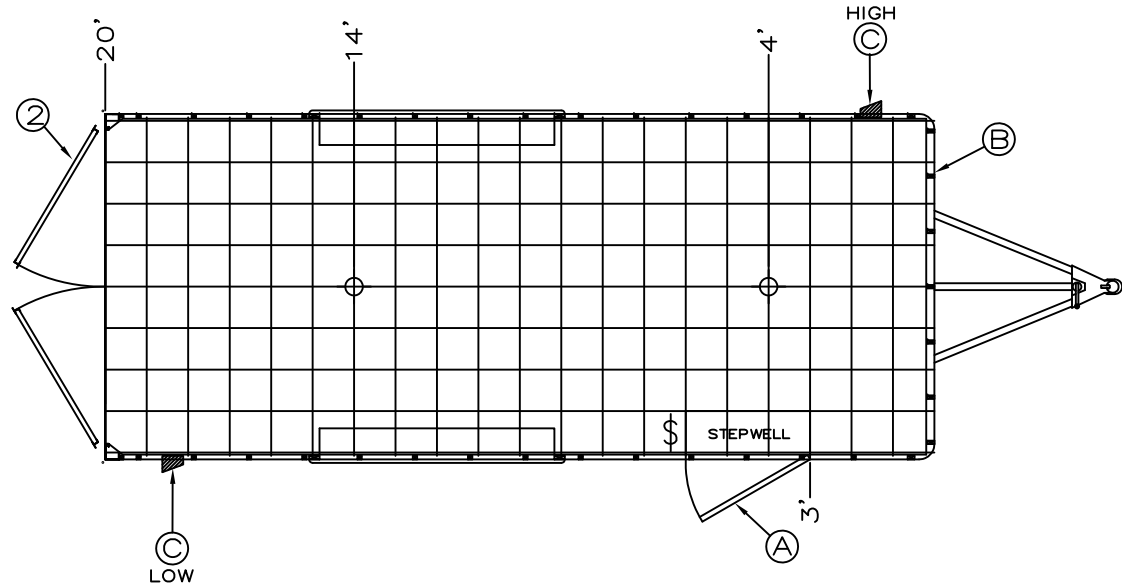
MODEL: AST8520TA2

ORDER NUMBER: 00000

DEALER: BRAVO TRAILERS

PG: 1 OF 1

- 1 .030 ALUM. EXTERIOR
- 2 DOUBLE REAR DOORS
  
- A 1-36" SIDE DOOR
- B 24" ATP STONEGUARD
- C 2-FLOW THRU SIDEWALL VENTS



KEY: :

12 VOLT ELECTRICAL

- STANDARD LED DOME LIGHT
- 4" ROUND LED DOME LIGHT
- WALL SWITCH

110 VOLT ELECTRICAL

- PANEL W/ LIFELINE & CABLE HATCH
- MOTOR BASE PLUG
- 2 BULB FLUORESCENT
- 1 BULB FLUORESCENT
- QUARTZ LIGHT
- WALL SWITCH
- 15 AMP RECEPT
- 20 AMP RECEPT
- GFI RECEPT

ROOF VENTS

N/P

- N/P = NON POWERED
- 12v = 12 VOLT POWERED
- 110v = 110 VOLT POWERED
- A/C = AIR CONDITIONER
- W/F = WIRE & FRAME

- D RING
- E TRACK
- ATP
- TIRE COMPARTMENT

REVISION: \_\_\_\_\_

APPROVED: \_\_\_\_\_



19319 COUNTY ROAD 8, BRISTOL IN 46507  
PHONE: 574.848.7500 - FAX: 574.848.7550

DRAWN BY: XXXXXX