

MATCH LETTER OR NUMBER WITH PRINT

DATE: 11/19/2019

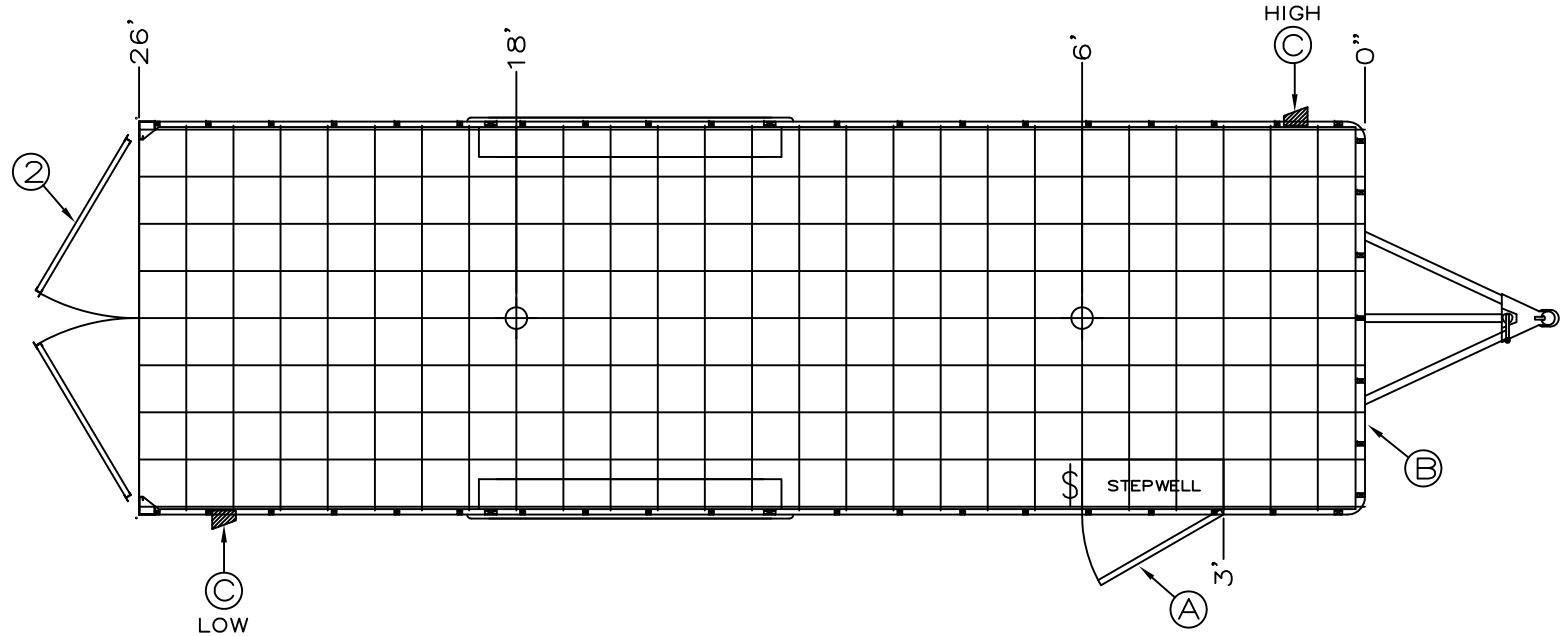
MODEL: AST8526TA3

ORDER NUMBER: 00000

DEALER: BRAVO

PG: 1 OF 1

- 1 .030 ALUM. EXTERIOR W/  
CAP
- 2 DOUBLE REAR DOORS
  
- A 1-36" SIDE DOOR
- B 24" ATP STONEGUARD
- C 2-FLOW THRU SIDEWALL  
VENTS



KEY: :

| 12 VOLT ELECTRICAL   | 110 VOLT ELECTRICAL  | ROOF VENTS   |  | REVISION: _____  |   |
|--|--|--|--|--|---|
| <ul style="list-style-type: none"> <li> - STANDARD LED DOME LIGHT</li> <li> - 4" ROUND LED DOME LIGHT</li> <li> - WALL SWITCH</li> </ul> | <ul style="list-style-type: none"> <li> - PANEL W/ LIFELINE &amp; CABLE HATCH</li> <li> - MOTOR BASE PLUG</li> <li> - 2 BULB FLUORESCENT</li> <li> - 1 BULB FLUORESCENT</li> </ul> | <ul style="list-style-type: none"> <li> - QUARTZ LIGHT</li> <li> - WALL SWITCH</li> <li> - 15 AMP RECEPT</li> <li> - 20 AMP RECEPT</li> <li> - GFI RECEPT</li> </ul> | <ul style="list-style-type: none"> <li> - N/P</li> </ul> <p>N/P = NON POWERED<br/>                     12v = 12 VOLT POWERED<br/>                     110v = 110 VOLT POWERED<br/>                     A/C = AIR CONDITIONER<br/>                     W/F = WIRE &amp; FRAME</p> | <ul style="list-style-type: none"> <li> - D RING</li> <li> - E TRACK</li> <li> - ATP</li> <li> - TIRE COMPARTMENT</li> </ul> | <p>APPROVED: _____</p> <p>19319 COUNTY ROAD 8, BRISTOL IN 46507<br/>                     PHONE: 574.848.7500 - FAX: 574.848.7550</p> <p>DRAWN BY: XXXXX</p> |