

MATCH LETTER OR NUMBER WITH PRINT

DATE: 11/22/2019

MODEL: SC510SA

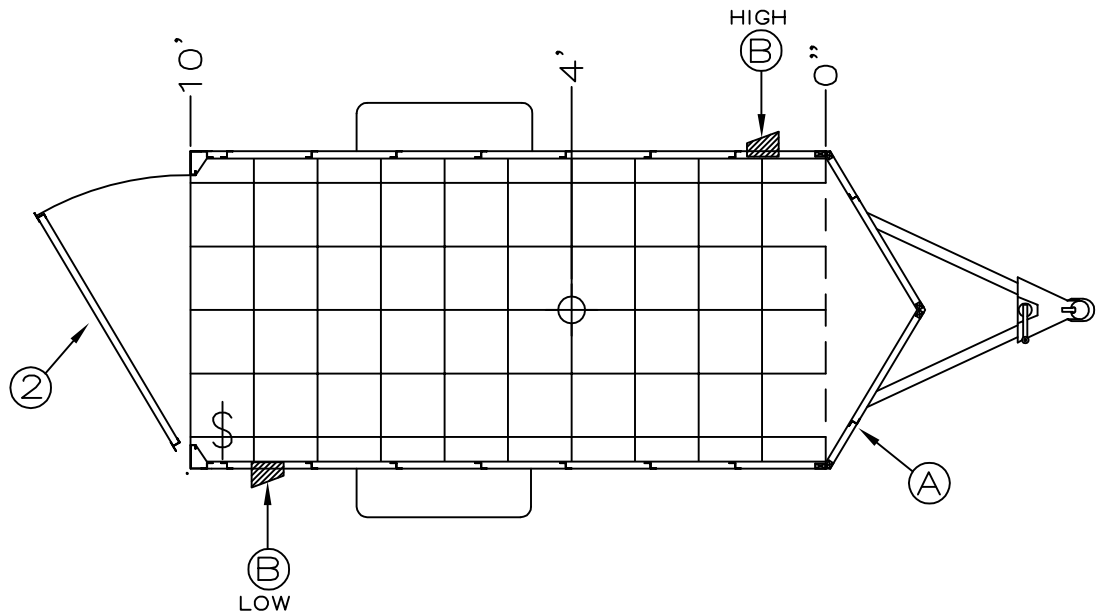
ORDER NUMBER: 000000

DEALER: BRAVO

PG: 1 OF 1

1 .030 ALUM. EXTERIOR
2 SINGLE REAR DOOR

A 24" ATP STONEGUARD
B 2-FLOW THRU SIDEWALL
VENTS



KEY: :

| 12 VOLT ELECTRICAL | 110 VOLT ELECTRICAL | ROOF VENTS | | REVISION: _____ | |
|--|--|--|--|--|--|
| <ul style="list-style-type: none"> - STANDARD LED DOME LIGHT - 4" ROUND LED DOME LIGHT - WALL SWITCH | <ul style="list-style-type: none"> - PANEL W/ LIFELINE & CABLE HATCH - MOTOR BASE PLUG - 2 BULB FLUORESCENT - 1 BULB FLUORESCENT | <ul style="list-style-type: none"> - QUARTZ LIGHT - WALL SWITCH - 15 AMP RECEPT - 20 AMP RECEPT - GFI RECEPT | <ul style="list-style-type: none"> - N/P <p>N/P = NON POWERED 12v = 12 VOLT POWERED 110v = 110 VOLT POWERED A/C = AIR CONDITIONER W/F = WIRE & FRAME</p> | <ul style="list-style-type: none"> - D RING - E TRACK - ATP - TIRE COMPARTMENT | <p>APPROVED: _____</p> <p>19319 COUNTY ROAD 8, BRISTOL IN 46507 PHONE: 574.848.7500 - FAX: 574.848.7550</p> <p>DRAWN BY: XXXXX</p> |