

MATCH LETTER OR NUMBER WITH PRINT

DATE: 11/21/2019

MODEL: SC58SA

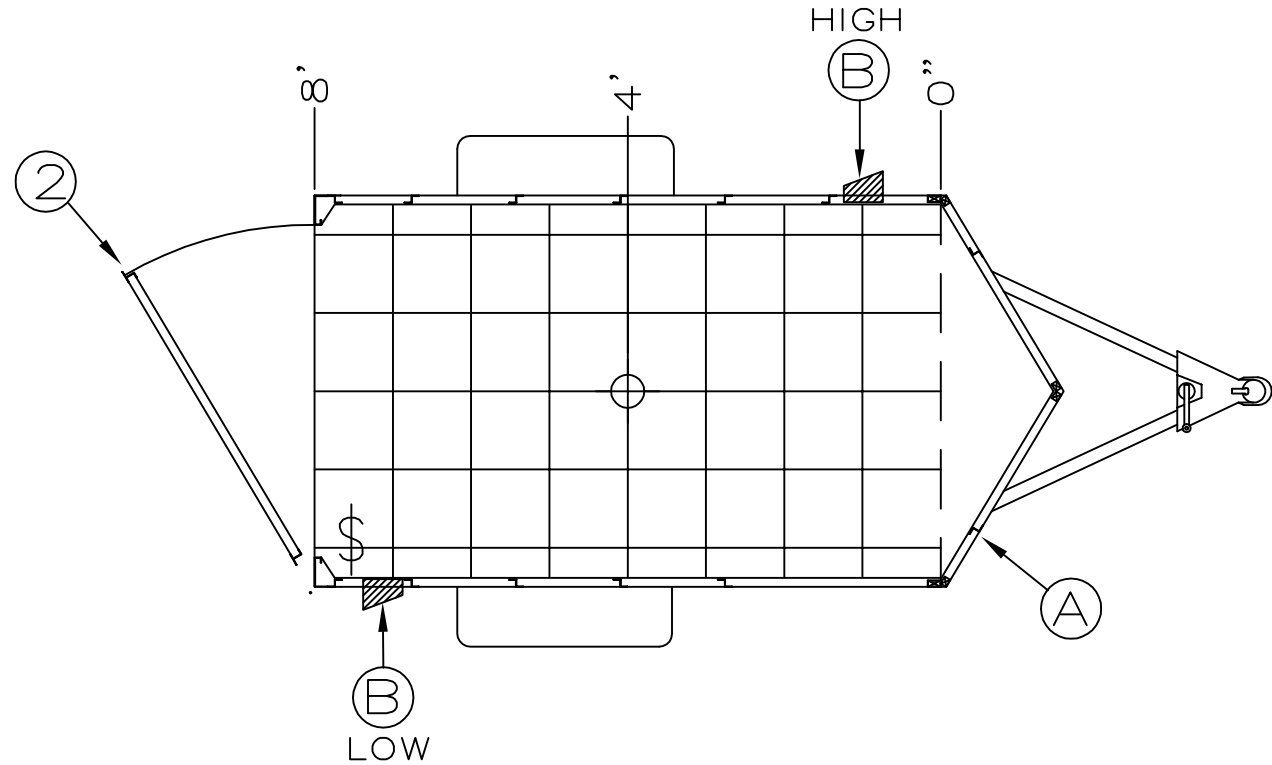
ORDER NUMBER: 000000

DEALER: BRAVO

PG: 1 OF 1

- 1 .030 ALUM. EXTERIOR
- 2 SINGLE REAR DOOR

- A 24" ATP STONEGUARD
- B 2-FLOW THRU SIDEWALL VENTS



KEY: :

12 VOLT ELECTRICAL	110 VOLT ELECTRICAL	ROOF VENTS	REVISION: _____
<ul style="list-style-type: none"> - STANDARD LED DOME LIGHT - 4" ROUND LED DOME LIGHT - WALL SWITCH 	<ul style="list-style-type: none"> - PANEL W/ LIFELINE & CABLE HATCH - MOTOR BASE PLUG - 2 BULB FLUORESCENT - 1 BULB FLUORESCENT - QUARTZ LIGHT - WALL SWITCH - 15 AMP RECEPT - 20 AMP RECEPT - GFI RECEPT 	<p style="text-align: center; border: 1px solid black; width: 30px; margin: 0 auto;">N/P</p> <p>N/P = NON POWERED 12v = 12 VOLT POWERED 110v = 110 VOLT POWERED A/C = AIR CONDITIONER W/F = WIRE & FRAME</p>	<ul style="list-style-type: none"> - D RING - E TRACK - ATP - TIRE COMPARTMENT
			<p>APPROVED: _____</p> <p style="font-size: small; text-align: center;">19319 COUNTY ROAD 8, BRISTOL IN 46507 PHONE: 574.848.7500 - FAX: 574.848.7550</p> <p>DRAWN BY: XXXXX</p>