

MATCH LETTER OR NUMBER WITH PRINT

DATE: 11/21/2019

MODEL: SC716TA

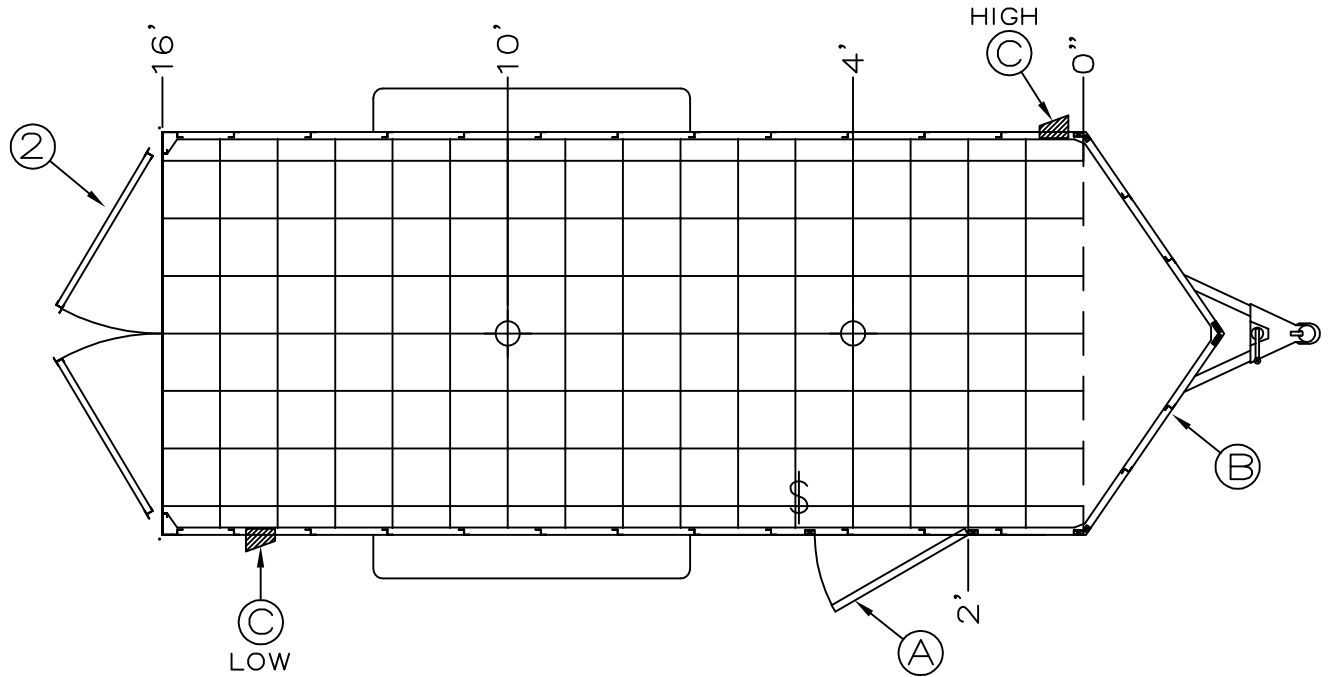
ORDER NUMBER: 000000

DEALER: BRAVO

PG: 1 OF 1

1 .030 ALUM. EXTERIOR  
2 DOUBLE REAR DOORS

A 1-32" SIDE DOOR  
B 24" ATP STONEGUARD  
C 2-FLOW THRU SIDEWALL VENTS



KEY: :

12 VOLT ELECTRICAL	110 VOLT ELECTRICAL	ROOF VENTS	REVISION: _____
<ul style="list-style-type: none"> <li> - STANDARD LED DOME LIGHT</li> <li> - 4" ROUND LED DOME LIGHT</li> <li> - WALL SWITCH</li> </ul>	<ul style="list-style-type: none"> <li> - PANEL W/ LIFELINE &amp; CABLE HATCH</li> <li> - MOTOR BASE PLUG</li> <li> - 2 BULB FLUORESCENT</li> <li> - 1 BULB FLUORESCENT</li> </ul>	<ul style="list-style-type: none"> <li> - QUARTZ LIGHT</li> <li> - WALL SWITCH</li> <li> - 15 AMP RECEPT</li> <li> - 20 AMP RECEPT</li> <li> - GFI RECEPT</li> </ul>	<p>APPROVED: _____</p> <p>19319 COUNTY ROAD 8, BRISTOL IN 46507 PHONE: 574.848.7500 - FAX: 574.848.7550</p>
		<p>N/P</p> <p>N/P = NON POWERED 12v = 12 VOLT POWERED 110v = 110 VOLT POWERED A/C = AIR CONDITIONER W/F = WIRE &amp; FRAME</p>	<ul style="list-style-type: none"> <li> -D RING</li> <li> -E TRACK</li> <li> -ATP</li> <li> -TIRE COMPARTMENT</li> </ul>
			<p>DRAWN BY: XXXXX</p>