

MATCH LETTER OR NUMBER WITH PRINT

DATE: 10/28/2019

MODEL: SSA8520TA2

ORDER NUMBER: 000000

DEALER: BRAVO

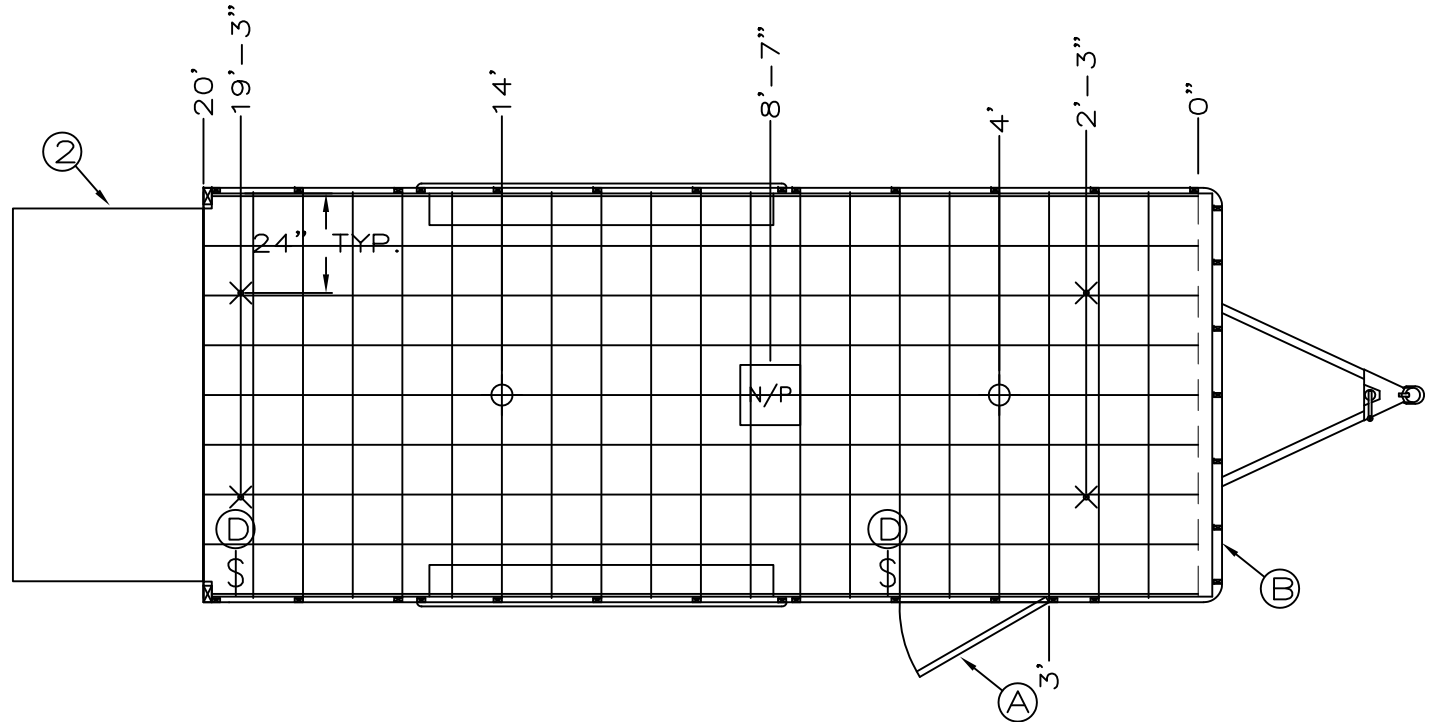
PG: 1 OF 1

- 1 VHB .030 ALUMINUM EXTERIOR
- 2 HEAVY DUTY ALUMINUM RAMP DOOR WITH FLAP
NO TRIM ON FLAP
NO SPRING COVER


- A 1-36" SIDE DOOR
- B 24" ATP STONEGUARD
- C 4-5000# RECESSED FLOOR
D-RINGS
- D 2-3WAY 12v. WALL SWITCHES

BEAVERTAIL
STAINLESS FRONT CORNERS & INSERT
BALL BURNISHED FRONT & REAR CASTINGS
MINI SPREAD AXLE

**** 7' INTERIOR HEIGHT ****



KEY: :

12 VOLT ELECTRICAL	110 VOLT ELECTRICAL	ROOF VENTS		APPROVED: _____
<ul style="list-style-type: none"> ○ - STANDARD LED DOME LIGHT ⊕ - 4" ROUND LED DOME LIGHT Ⓢ - WALL SWITCH 	<ul style="list-style-type: none"> ▭ - PANEL W/ LIFELINE & CABLE HATCH △ - MOTOR BASE PLUG ▭ - 2 BULB FLUORESCENT ▭ - 1 BULB FLUORESCENT 	<ul style="list-style-type: none"> ○ - QUARTZ LIGHT Ⓢ - WALL SWITCH ○ - 15 AMP RECEPT ● - 20 AMP RECEPT Ⓢ - GFI RECEPT 	<ul style="list-style-type: none"> X - D RING E - E TRACK ⊗ - ATP (T/C) - TIRE COMPARTMENT 	 19319 COUNTY ROAD 8, BRISTOL IN 46507 PHONE: 574.848.7500 - FAX: 574.848.7550
		<ul style="list-style-type: none"> N/P - NON POWERED 12v = 12 VOLT POWERED 110v = 110 VOLT POWERED A/C = AIR CONDITIONER W/F = WIRE & FRAME 	DRAWN BY: X X X X X	