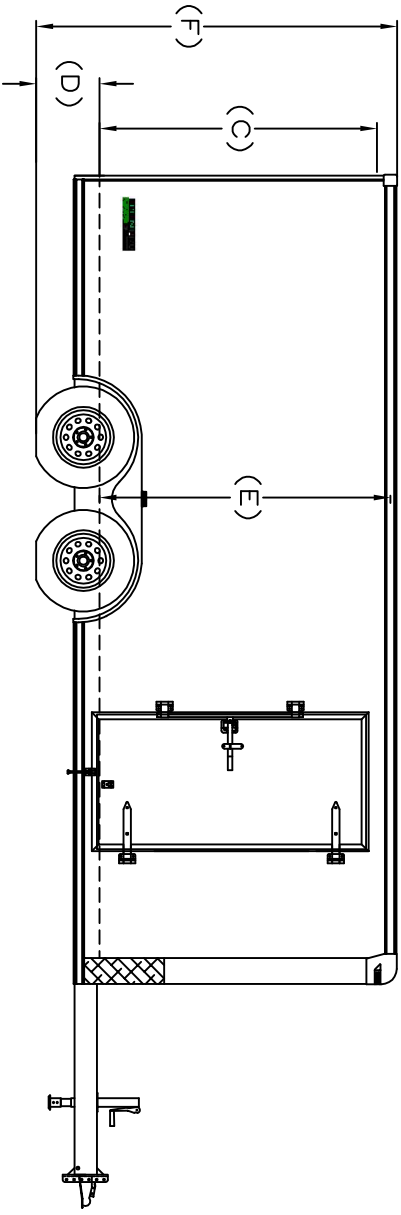
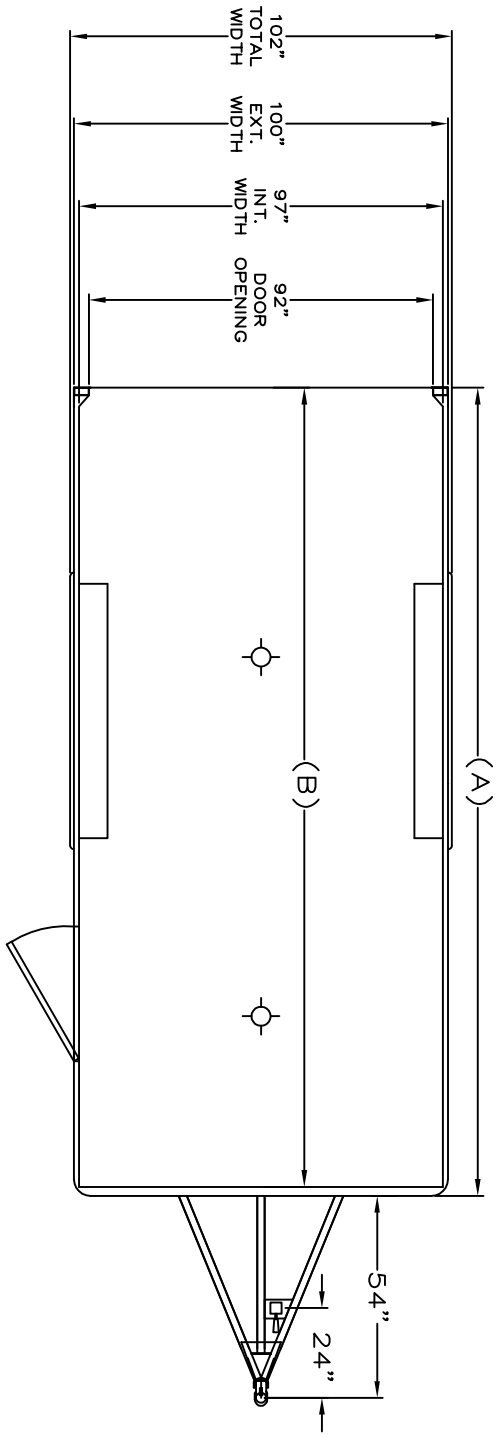


| | |
|----------------------------|---------------------------|
| OUTSIDE BOX LENGTH: (A) | INSIDE BOX LENGTH: (B) |
| 18'-0" | 17'-8" |



| | | | |
|-----------------|--------------------------|--------------------|------------------------|
| GreenPRO SPECS | REAR DOOR OPENING (C) | INT HEIGHT: (E) | OVERALL HEIGHT: (F) |
| STD HEIGHT | 6'-0" | 6'-7" | 8'-6" |
| 6" PLUS HEIGHT | 6'-6" | 7'-1" | 9'-0" |
| 12" PLUS HEIGHT | 7'-0" | 7'-7" | 9'-6" |

| | |
|--------|-----------------------|
| TA 2 | LOADING HEIGHT (D) |
| SPRING | 20" |
| TA 3 | LOADING HEIGHT (D) |
| SPRING | 21" |

DATE: 03/31/2022
 MODEL: GP8518TA



19319 COUNTY ROAD 8, BRISTOL IN 46507
 PHONE: 574.848.7500 - FAX: 574.848.7550