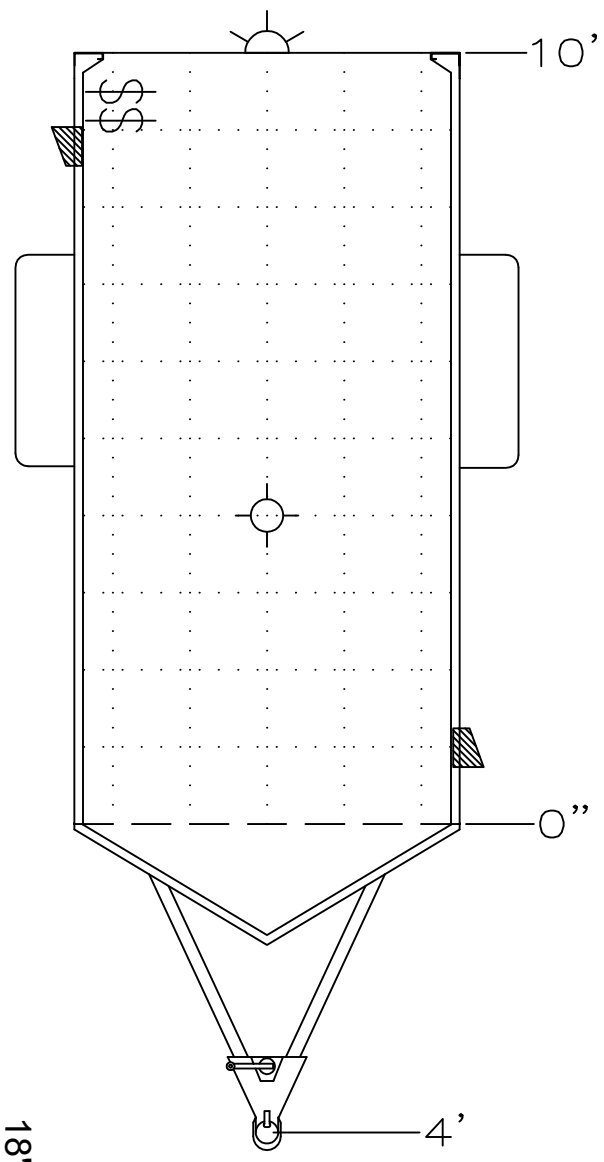


CUSTOMER:


DATE:

MODEL: SC510SA



18" V-NOSE

KEY:

NOTES	12 VOLT ELECTRICAL	110 VOLT ELECTRICAL	ROOF VENTS	X - D RING E - E TRACK T - TIRE T/C - COMPARTMENT	<p>PROPRIETARY AND CONFIDENTIAL</p> <p>THE INFORMATION CONTAINED IN THIS DRAWING IS THE SOLE PROPERTY OF BRAVO TRAILERS LLC. NO PART OR AS A WHOLE WITHOUT THE WRITTEN PERMISSION OF BRAVO TRAILERS LLC IS PROHIBITED.</p> 
<p>_____</p> <p>_____</p> <p>_____</p> <p>_____</p> <p>_____</p>	<p>○ - STANDARD LED DOME LIGHT</p> <p>⊕ - 4" ROUND LED DOME LIGHT</p> <p>⊖ - LOADING LIGHT</p> <p>Ⓢ - WALL SWITCH</p>	<p>□ - PANEL</p> <p>△ - MOTOR BASE PLUG</p> <p>Ⓢ - WALL SWITCH</p> <p>⊗ - USB RECEPT</p> <p>○ - 15 AMP RECEPT</p> <p>● - 20 AMP RECEPT</p> <p>⊖ - GFI RECEPT</p>	<p>□ N/P</p> <p>N/P = NON POWERED 12V = 12 VOLT POWERED 110V = 110 VOLT POWERED A/C = AIR CONDITIONER W/F = WIRE & FRAME</p>		