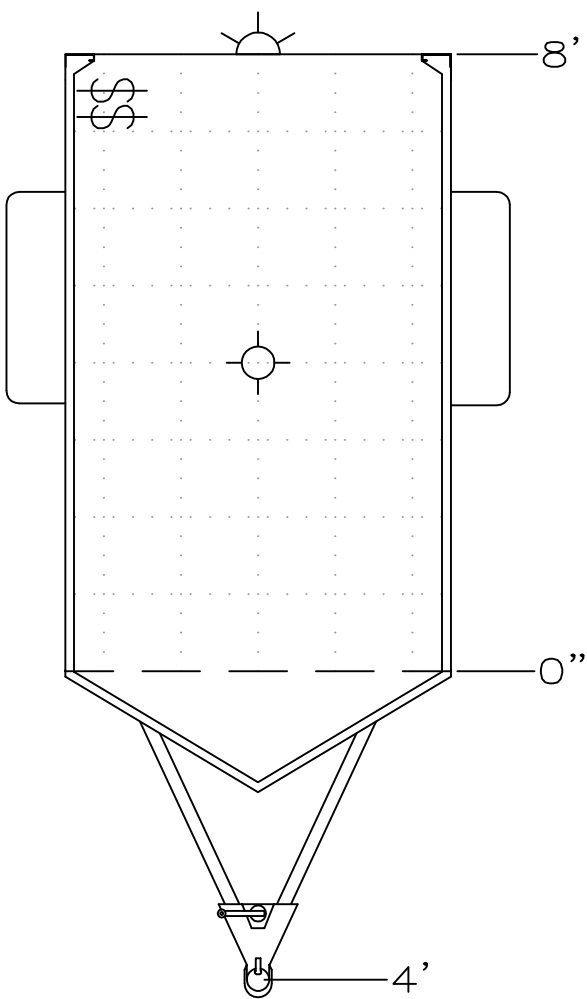


CUSTOMER:

DATE:

MODEL: SC58SA



18" V-NOSE

KEY:

NOTES	12 VOLT ELECTRICAL	110 VOLT ELECTRICAL	ROOF VENTS	X - D RING E - E TRACK T - ATP (T/C) - TIRE COMPARTMENT	PROPRIETARY AND CONFIDENTIAL THE INFORMATION CONTAINED IN THIS DRAWING IS THE SOLE PROPERTY OF BRAVO TRAILERS, LLC. NO PART OR AS A WHOLE WITHOUT THE WRITTEN PERMISSION OF BRAVO TRAILERS, LLC IS PROHIBITED.
	○ - STANDARD LED DOME LIGHT ⊕ - 4" ROUND LED DOME LIGHT ⌞ - LOADING LIGHT \$ - WALL SWITCH	□ - PANEL △ - MOTOR BASE PLUG ⊗ - USB RECEIPT ○ - 15 AMP RECEIPT ● - 20 AMP RECEIPT ● - GFI RECEIPT \$ - WALL SWITCH	N/P N/P = NON POWERED 12V = 12 VOLT POWERED 110V = 110 VOLT POWERED A/C = AIR CONDITIONER W/F = WIRE & FRAME		