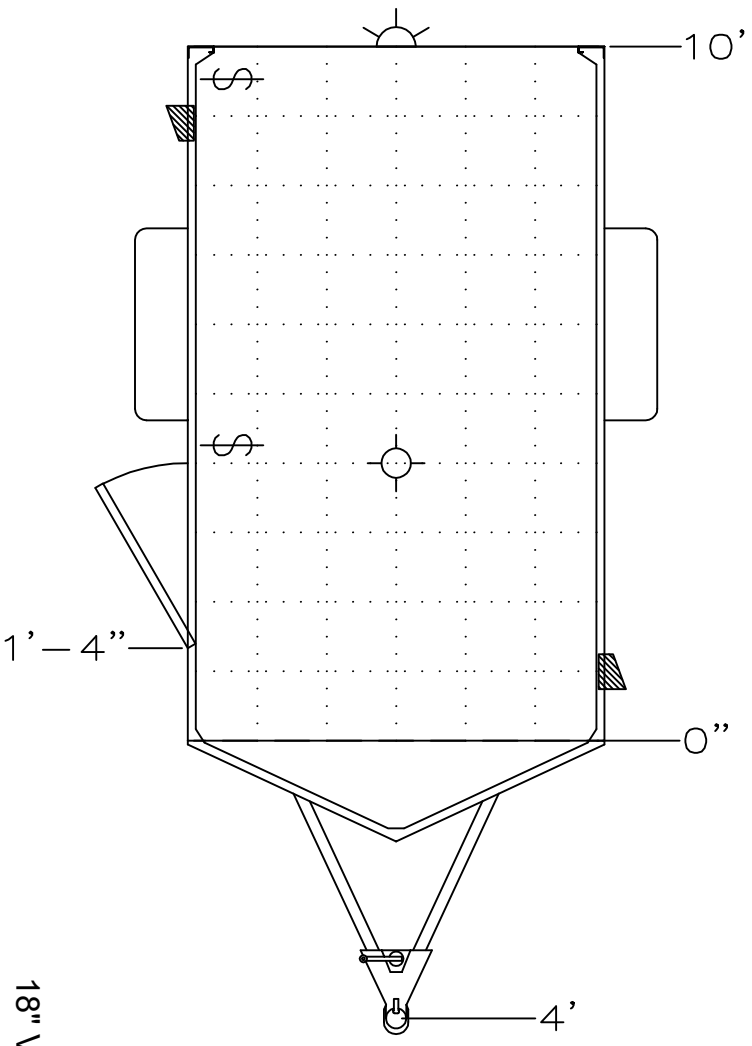


CUSTOMER:

DATE:

MODEL: SC610SA



18" V-NOSE

KEY:

NOTES	<p>12 VOLT ELECTRICAL</p> <ul style="list-style-type: none"> - STANDARD LED DOME LIGHT - 4" ROUND LED DOME LIGHT - LOADING LIGHT - WALL SWITCH 	<p>110 VOLT ELECTRICAL</p> <ul style="list-style-type: none"> - PANEL - MOTOR BASE PLUG - WALL SWITCH - USB RECEPT - 15 AMP RECEPT - 20 AMP RECEPT - GFI RECEPT 	<p>ROOF VENTS</p> <p> N/P</p> <p>N/P = NON POWERED 12V = 12 VOLT POWERED 110V = 110 VOLT POWERED A/C = AIR CONDITIONER W/F = WIRE & FRAME</p>	<p> - D RING</p> <p> - E TRACK</p> <p> - ATP</p> <p> - TIRE</p> <p> - COMPARTMENT</p>	<p>PROPRIETARY AND CONFIDENTIAL</p> <p>THE INFORMATION CONTAINED IN THIS DRAWING IS THE SOLE PROPERTY OF BRAVO TRAILERS LLC. NO PART OR AS A WHOLE WITHOUT THE WRITTEN PERMISSION OF BRAVO TRAILERS LLC IS PROHIBITED.</p>
-------	--	---	---	---	---