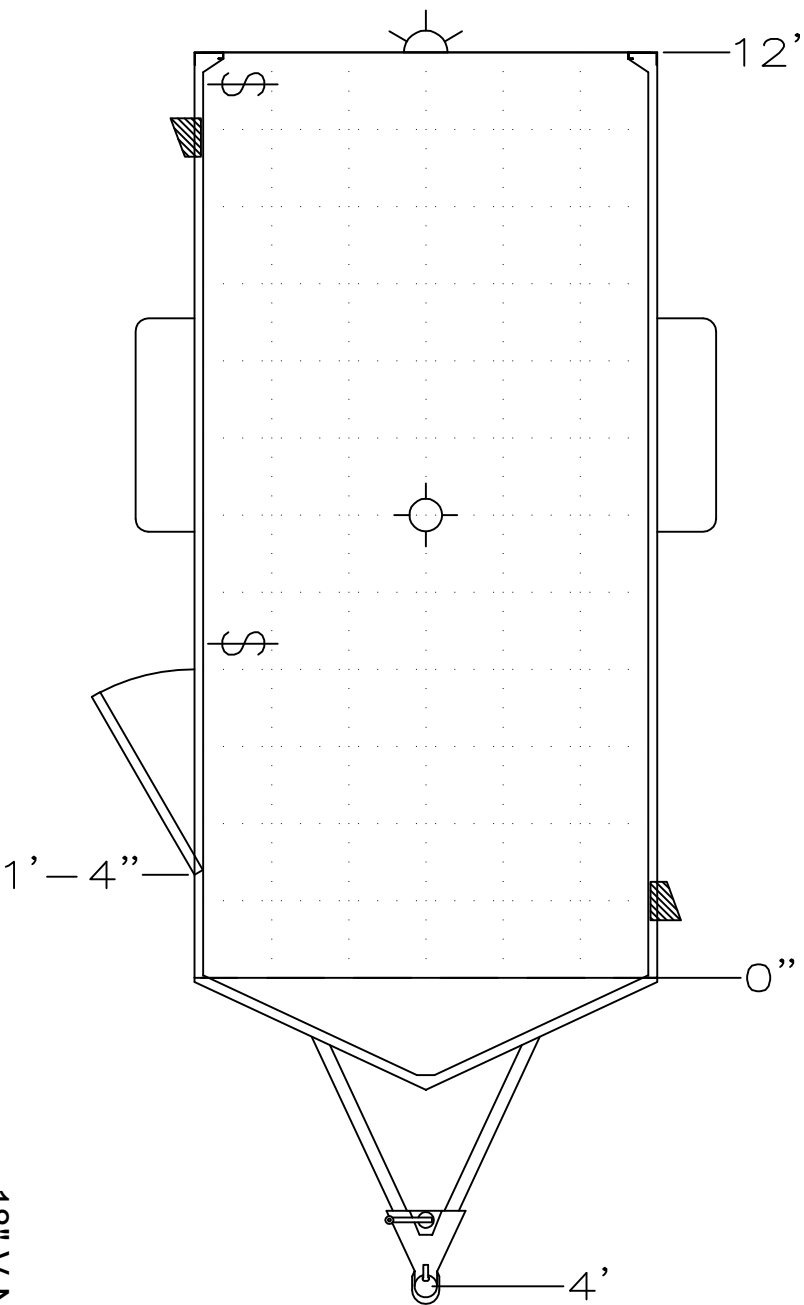


CUSTOMER:

DATE:

MODEL: SC612SA



18" V-NOSE

KEY:

NOTES	<p>12 VOLT ELECTRICAL</p> <ul style="list-style-type: none"> <li> - STANDARD LED DOME LIGHT</li> <li> - 4" ROUND LED DOME LIGHT</li> <li> - LOADING LIGHT</li> <li> - WALL SWITCH</li> </ul>	<p>110 VOLT ELECTRICAL</p> <ul style="list-style-type: none"> <li> - PANEL</li> <li> - MOTOR BASE PLUG</li> <li> - WALL SWITCH</li> <li> - USB RECEPT</li> <li> - 15 AMP RECEPT</li> <li> - 20 AMP RECEPT</li> <li> - GFI RECEPT</li> </ul>	<p>ROOF VENTS</p> <p> N/P</p> <p>N/P = NON POWERED          12V = 12 VOLT POWERED          110V = 110 VOLT POWERED          A/C = AIR CONDITIONER          W/F = WIRE &amp; FRAME</p>	<ul style="list-style-type: none"> <li> - D RING</li> <li> - E TRACK</li> <li> - ATP</li> <li> - TIRE</li> <li> - COMPARTMENT</li> </ul>	<p><b>PROPRIETARY AND CONFIDENTIAL</b></p> <p>THE INFORMATION CONTAINED IN THIS DRAWING IS THE SOLE PROPERTY OF BRAVO TRAILERS LLC. NO PART OR AS A WHOLE WITHOUT THE WRITTEN PERMISSION OF BRAVO TRAILERS LLC IS PROHIBITED.</p>
-------	--	---	---	--	---