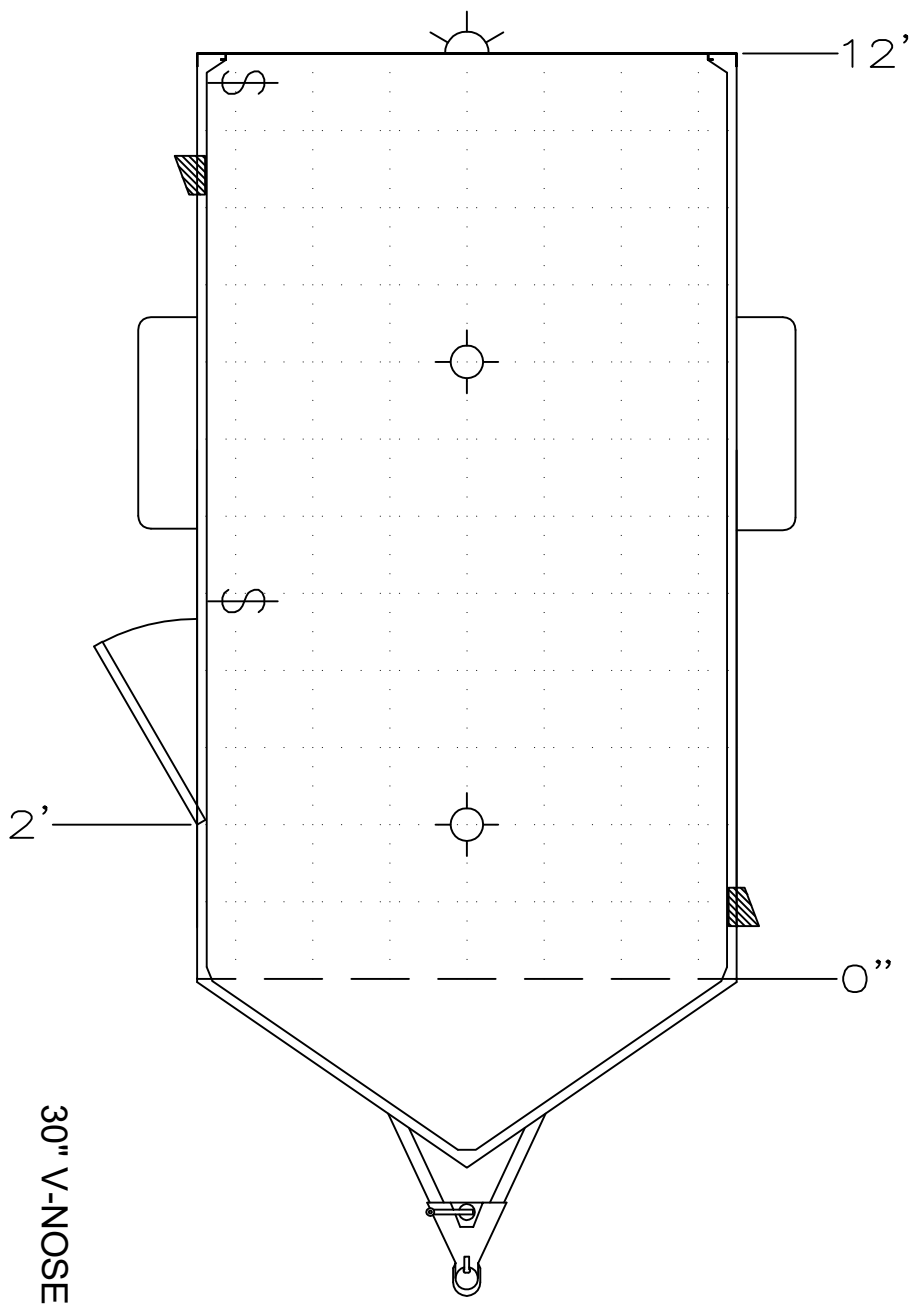


CUSTOMER:

DATE:

MODEL: SC712SA



KEY:

NOTES	12 VOLT ELECTRICAL	110 VOLT ELECTRICAL	ROOF VENTS	COMPARTMENT	
	<ul style="list-style-type: none"> - STANDARD LED DOME LIGHT - 4" ROUND LED DOME LIGHT - LOADING LIGHT - WALL SWITCH 	<ul style="list-style-type: none"> - PANEL - MOTOR BASE PLUG - WALL SWITCH - USB RECEIPT - 15 AMP RECEIPT - 20 AMP RECEIPT - GFI RECEIPT 	<ul style="list-style-type: none"> - N/P <p>N/P = NON POWERED 12V = 12 VOLT POWERED 110V = 110 VOLT POWERED A/C = AIR CONDITIONER W/F = WIRE & FRAME</p>	<ul style="list-style-type: none"> - D RING - E TRACK - ATP - TIRE 	<p>PROPRIETARY AND CONFIDENTIAL</p> <p>THE INFORMATION CONTAINED IN THIS DRAWING IS THE SOLE PROPERTY OF BRAVO TRAILERS LLC. NO PART OR AS A WHOLE WITHOUT THE WRITTEN PERMISSION OF BRAVO TRAILERS LLC IS PROHIBITED.</p>